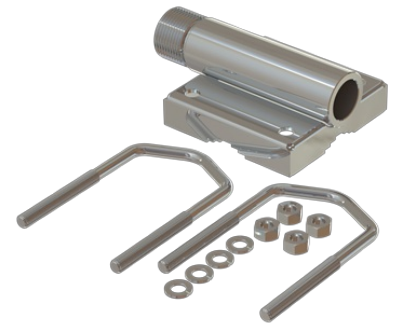


MAST/RAIL MOUNT G1"-11

Stainless Steel Mast/Rail Mounting Bracket G1"-11

- Polished marine grade AISI-316 stainless steel pole bracket for
- Easy mounting on vertical and horizontal poles
- Especially made for installation of maritime antennas with 1" Revolving Nut bases
- Stainless steel hardware included



MECHANICAL SPECIFICATIONS

Color	Polished
Weight	800 g (Hardware included)
Mounting	On pole or rail with supplied U-bolts
Mounting Place	On vertical or horizontal pole or rail with diameter \varnothing 30-60 mm. Optionally mounting on wall with screws (not supplied)
Materials	Polished marine grade AISI-316 stainless steel
For Antenna Types	All Marine and Base Station Antennas with the 1" Revolving Nut Mounting System
Dimension	130 x 92.5 x 47 mm



ORDERING INFORMATION

10102-003	Individually packing in Carton box
-----------	------------------------------------

PACKAGING INFORMATION

Type	Individually packing in Carton box
Size	205 x 105 x 75 mm
Weight	860 g

